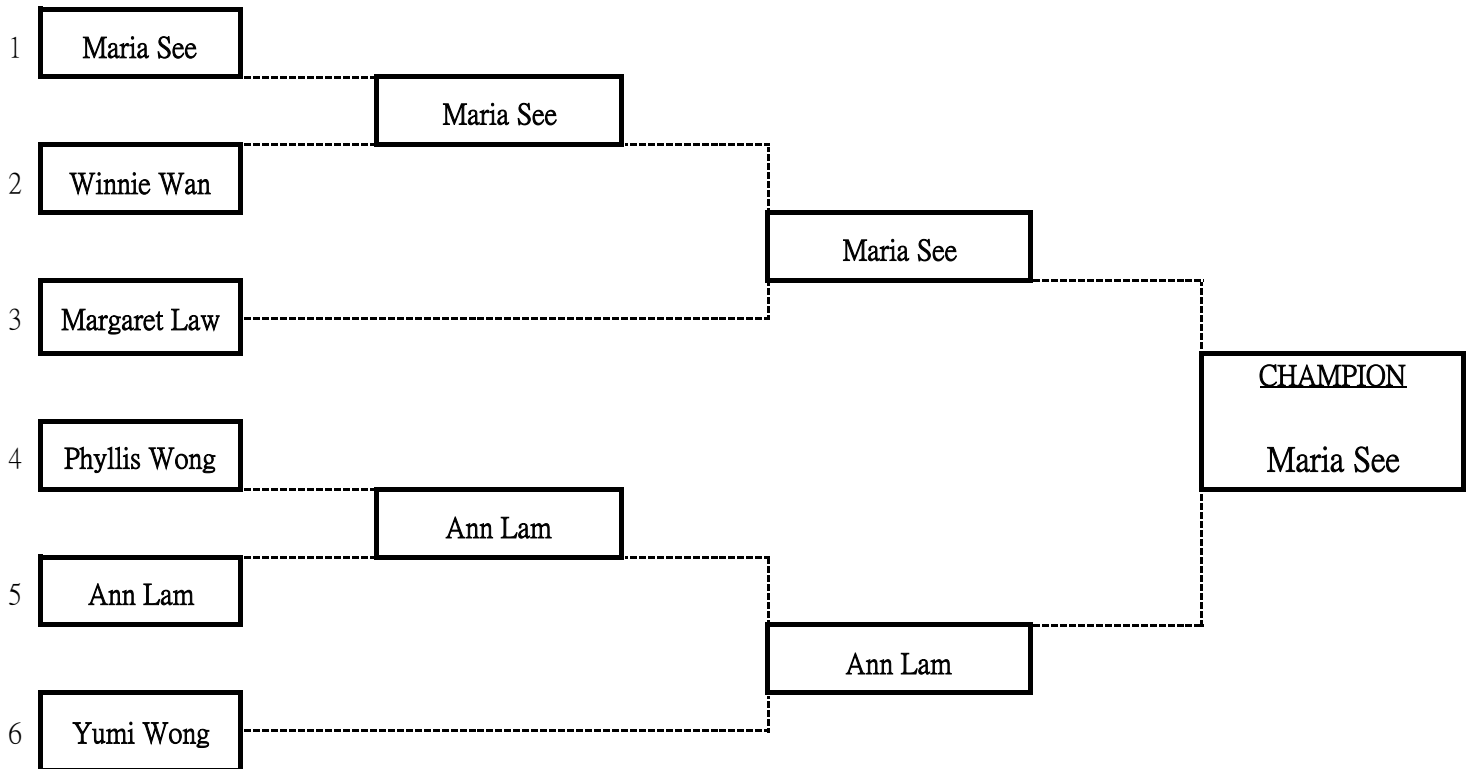


CLUB SINGLES 2010 - WOMEN'S

ROUND 1
9-Jan-2011
(Sunday at 3 pm)

SEMI-FINAL
23-Jan-2011
(Sunday at 3 pm)

FINAL
30-Jan-2011
(Sunday at 3 pm)



Rules of Play:-

- 1) All games are to be played as scheduled. Reschedule of games are only subject to outcome of League & National Competition.
- 2) In case of failure to play a match, the opponent player will automatically be the winner of that match.
- 3) All games shall be decided by 17 shots, only 'Final' shall be decided by 21 shots.
- 4) Burnt ends are allowed. No visit of head until the player has delivered his 3rd bowl.
- 5) All games to be played according to World Bowls Rules (New Rules applied).
- 6) Rink No. will be decided by draw 10 minutes before games start.